



BUC

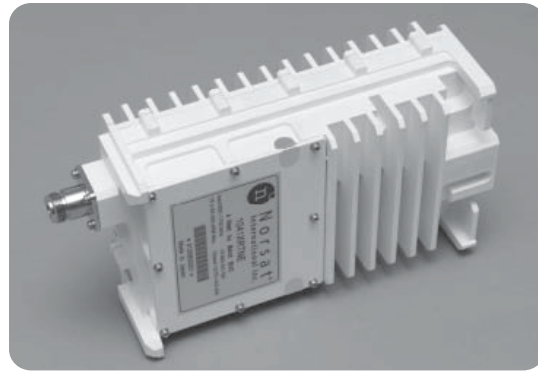
KU-BAND 1041XRTS

4W NON-INVERTED

SELECTABLE

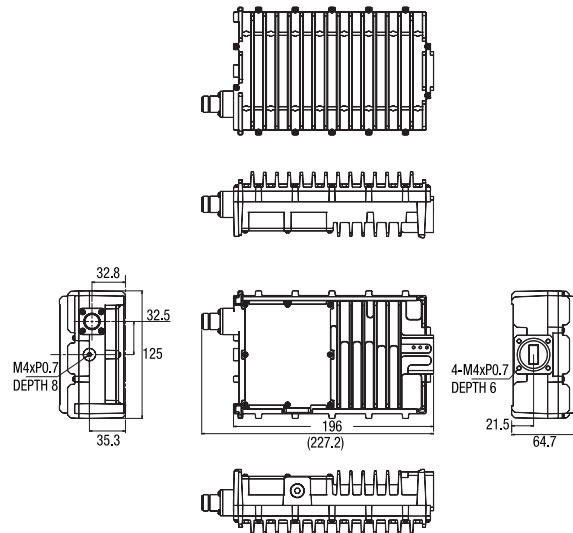
TYPICAL SPECIFICATIONS

Output frequency	13.75 to 14.50 GHz (14.0 to 14.50 GHz)
Input frequency	950 to 1700 MHz (950 to 1450 MHz)
Output to P1dB	36 dBm
L.O. frequency	12.80 GHz (13.05 GHz)
Input VSWR	2.0 : 1
Output VSWR	2.1 : 1
Phase noise (SSB)	-70 dBc/Hz at 1kHz -80 dBc/Hz at 10kHz -90 dBc/Hz at 100kHz
External reference signal frequency	10 MHz
Power requirements	+15 to +24V supplied through center conductor of IF cable
Power consumption	45 W
Output Waveguide	WR75 - grooved
Dimensions	228 (L) x 125 (W) x 65 (H) mm (9.0 x 4.9 x 2.6 in)
Weight	1.9 kg / 4.2 lb



External reference level	-5 to +5 dBm
10 MHz external reference phase noise	-135 dBc/Hz at 100 Hz -140 dBc/Hz at 1 kHz -150 dBc/Hz at 10 kHz
Gain (including variation over temperature and frequency)	50 dB min 60 dB max
Gain stability over temperature	±2.25 dB at any constant frequency
Gain stability in-band at any constant temperature	±1.0 dB in any 54 MHz band ±3.0 dB over full 750 MHz band
Temperature Range	-40°C to +55°C

MECHANICAL DIAGRAM



HOW TO ORDER KU-BAND 1041XRTS

