



# LNB

## KU-BAND PLL

### 1000HE



### TYPICAL SPECIFICATIONS

Noise figure	0.8 dB
L.O. stability (over temperature excl offset)	±25 kHz ±10 kHz
Phase noise (SSB)	-70 dBc/Hz at 1kHz -80 dBc/Hz at 10kHz -90 dBc/Hz at 100kHz
Input VSWR	2.5 : 1
Output VSWR	2.2 : 1

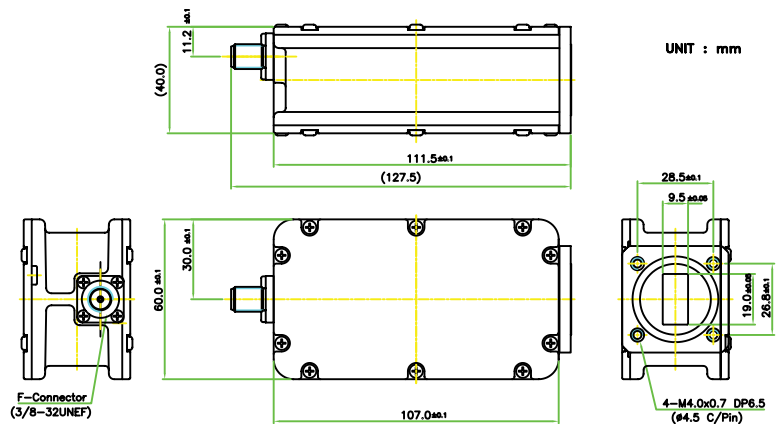
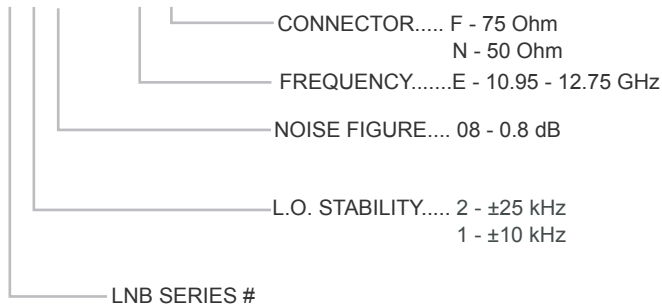
Conversion gain	55 dB
Output P1dB	5 dBm
Power requirements	+12 to +24 V supplied through center conductor of IF cable
Current drain	300 mA
Input Waveguide	WR75
Dimensions	130 (L) x 60 (W) x 42 (H) mm (5.1 x 2.4 x 1.7 in)
Weight	300g / 10.6 oz

### FREQUENCY BANDS AVAILABLE

Typical service	1000HE
Input frequency (GHz)	10.95 to 12.75
L.O. frequency (GHz)	10.00 GHz
Output frequency (MHz)	950 to 2750

### HOW TO ORDER KU-BAND 1000H

#### 1209HEF



### MECHANICAL DIAGRAM